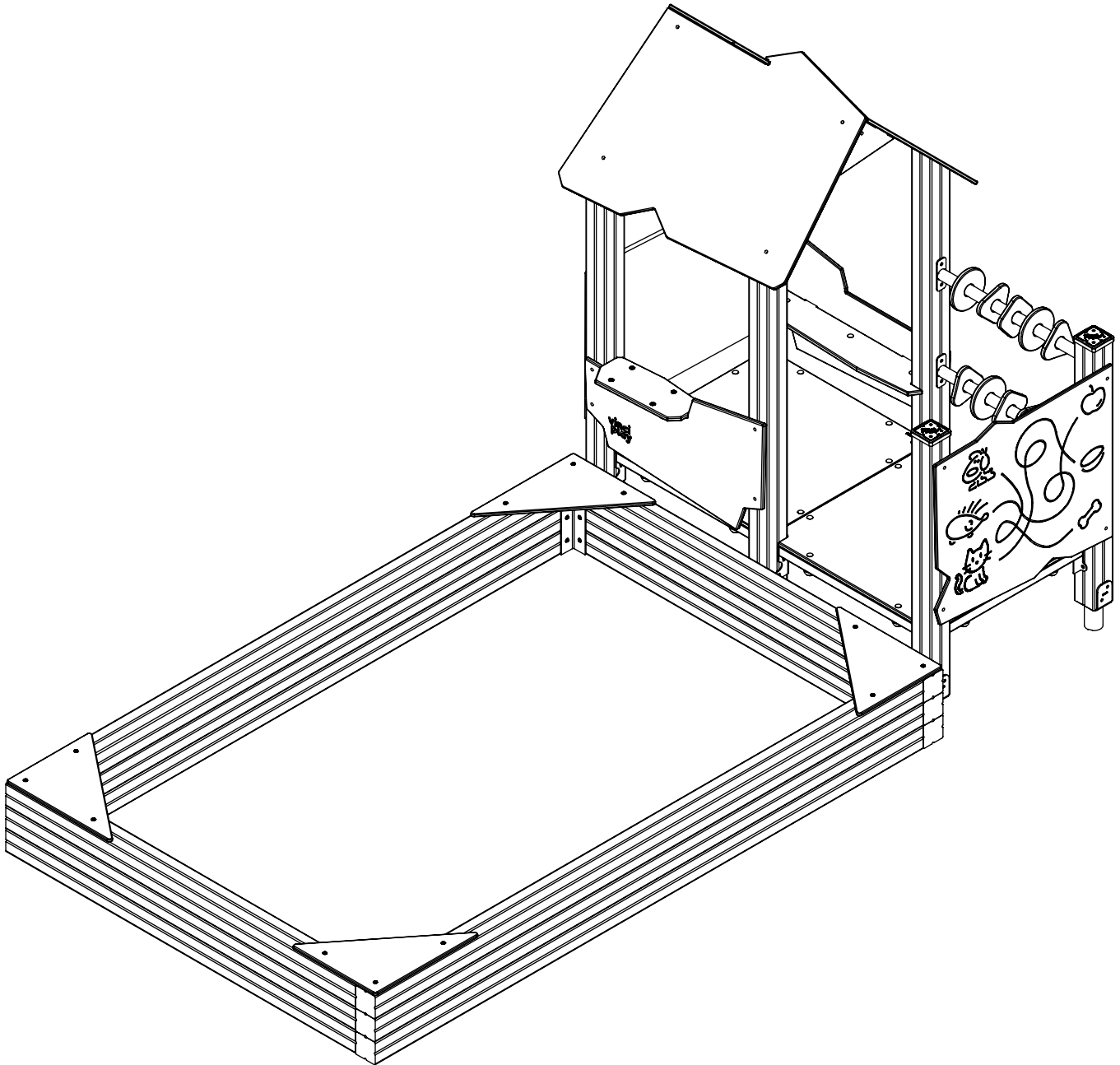
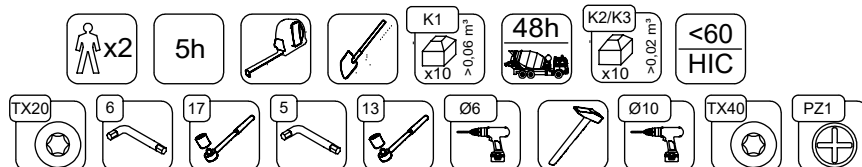


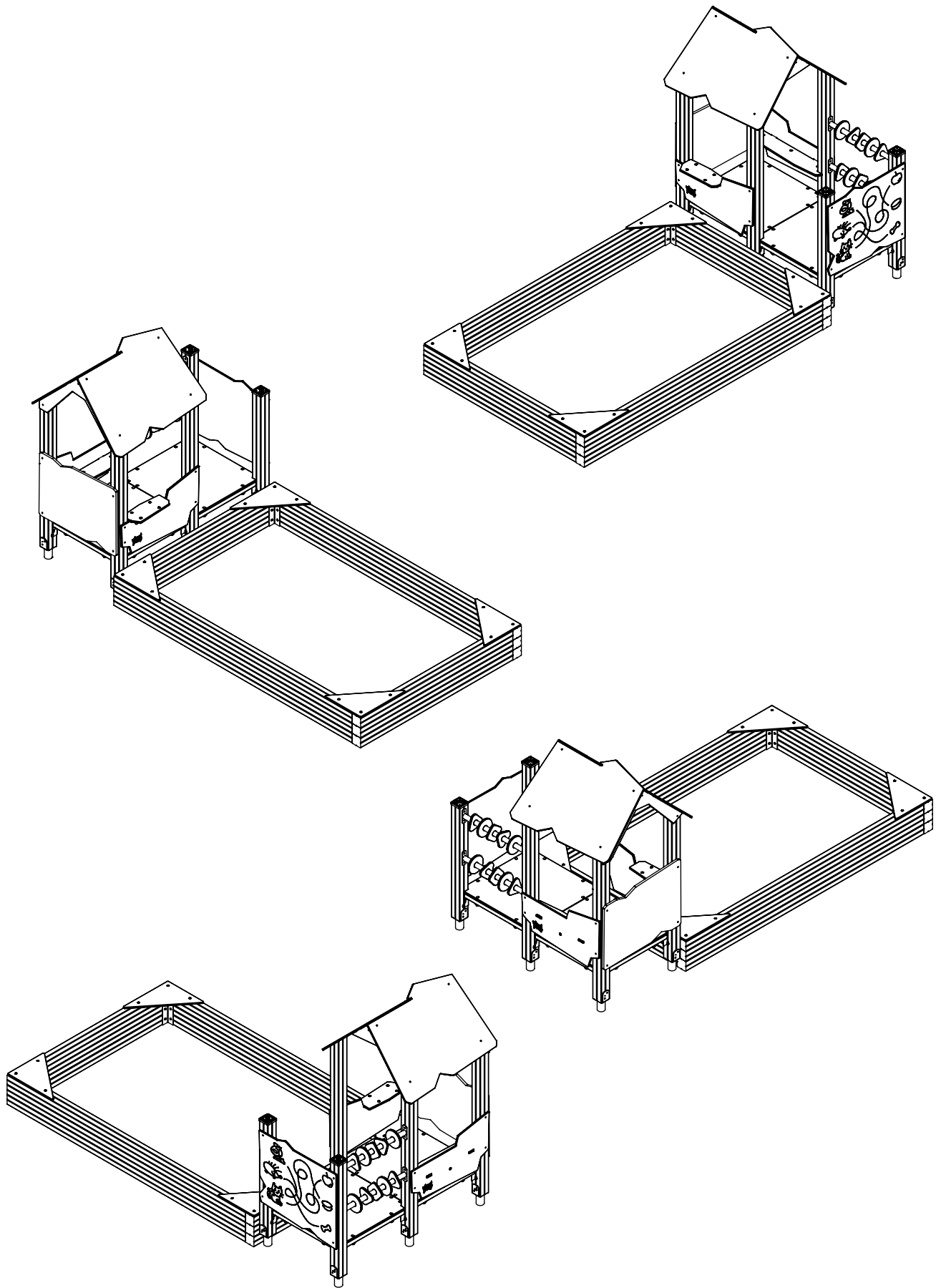
# WD1455



v015  
10.02.2022  
D. P.  
[cm]

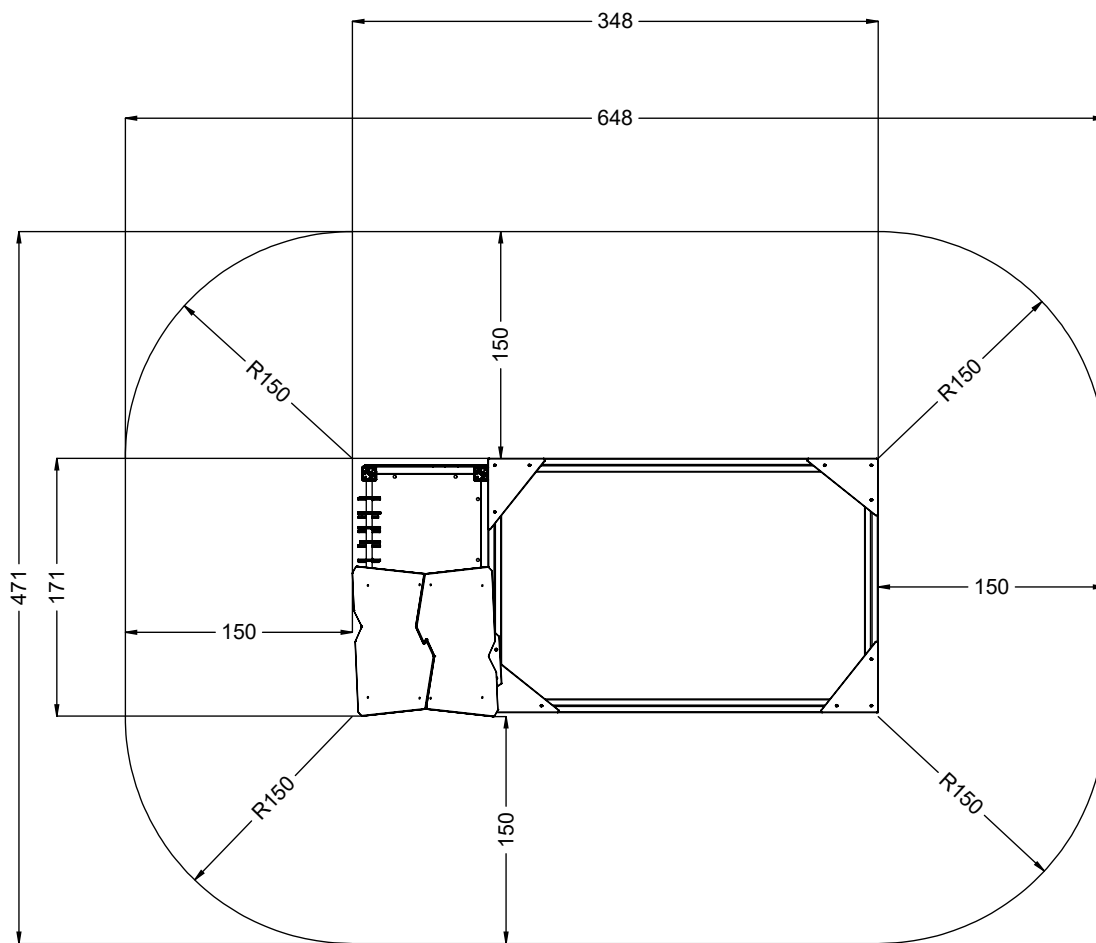
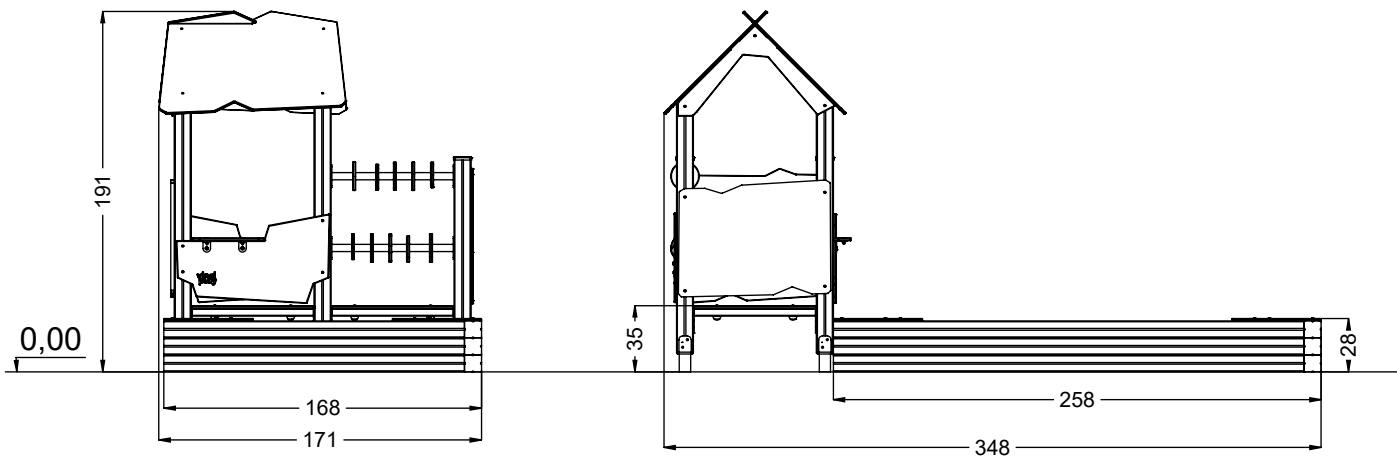


vinci  
play



[cm]

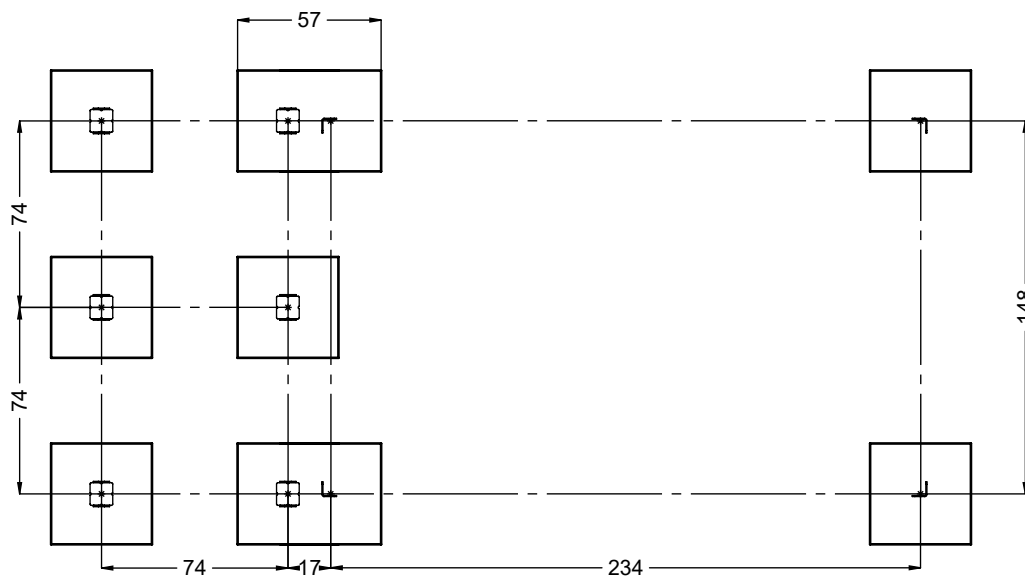
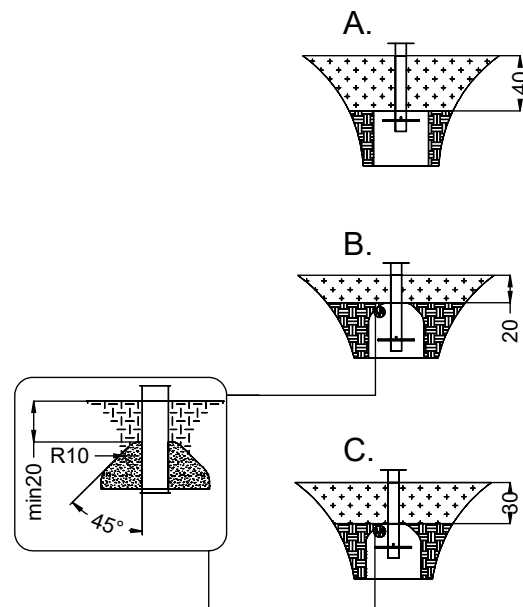
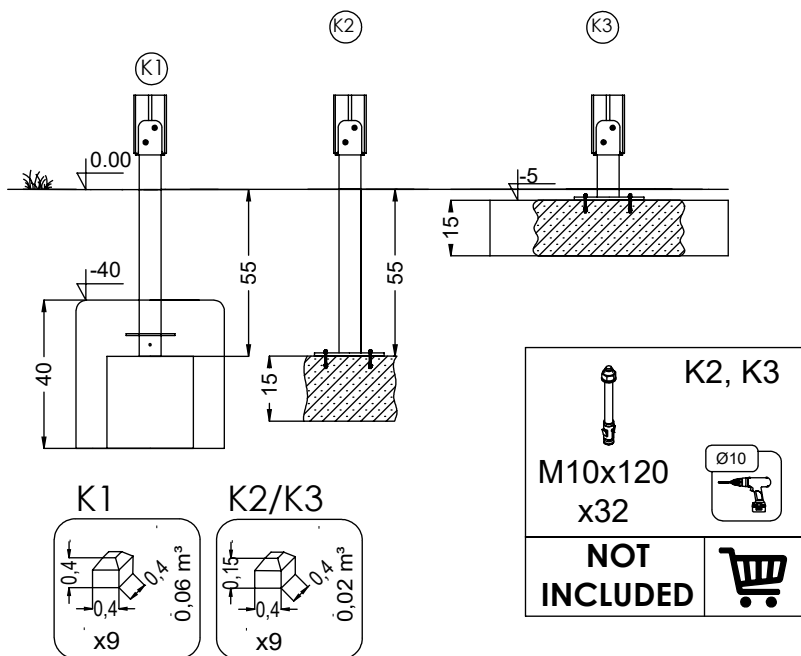
vinci  
play



[cm]



vinci  
play



[cm]



5h



vinci  
play



14724990  
x6



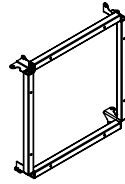
14715990  
x6



14714145  
x4



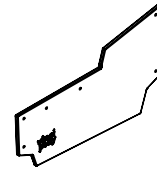
14710390  
x2



142109  
x2



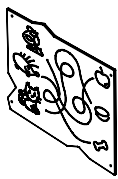
141100  
x2



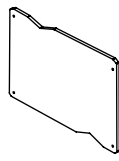
141135  
x1



141136  
x1



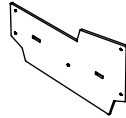
141243  
x1



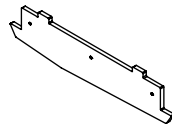
141148  
x1



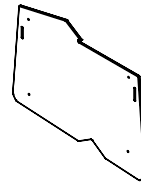
144126  
x2



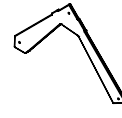
141184  
x1



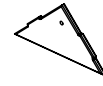
141185  
x1



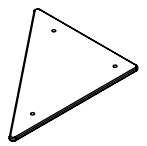
141120  
x2



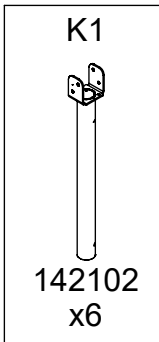
141123  
x1



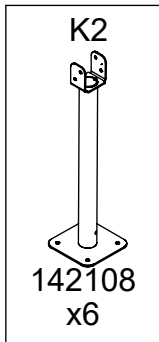
141122  
x1



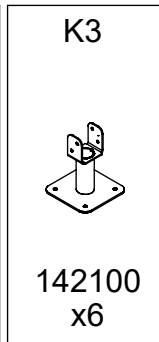
141264  
x4



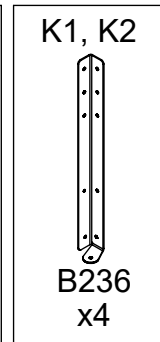
K1  
142102  
x6



K2  
142108  
x6



K3  
142100  
x6



K1, K2  
B236  
x4



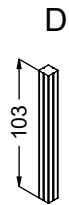
14924590  
x6



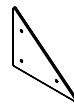
14915990  
x6



14914145  
x4



14910390  
x2

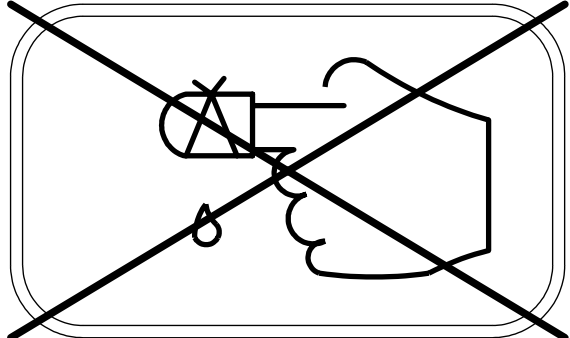
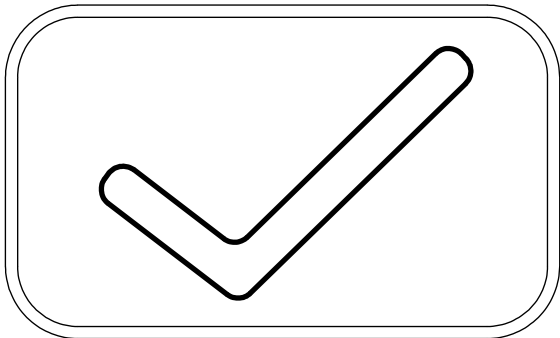
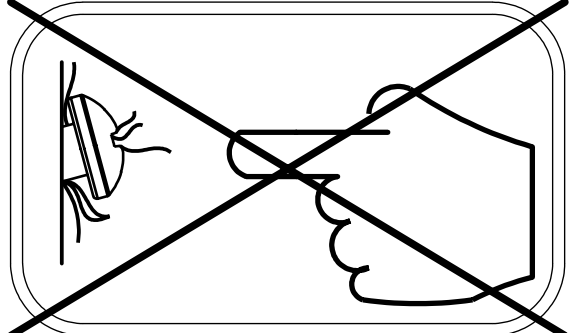
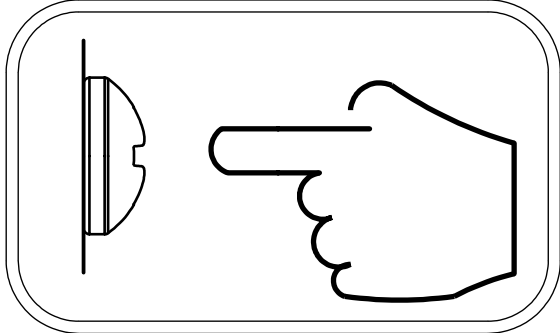
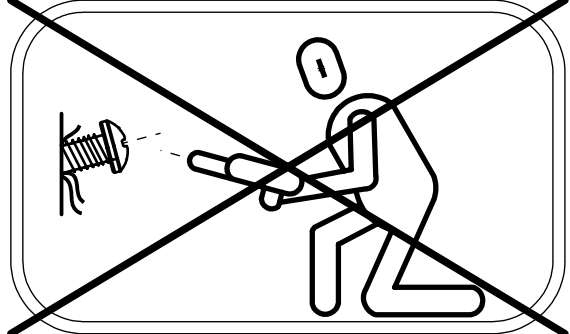
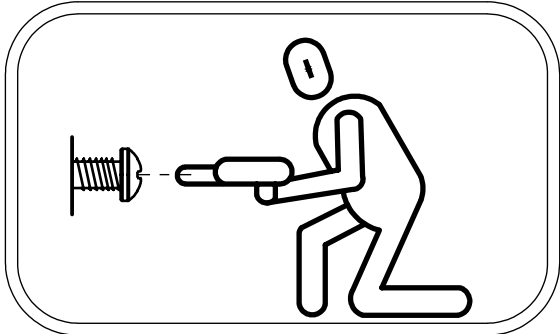


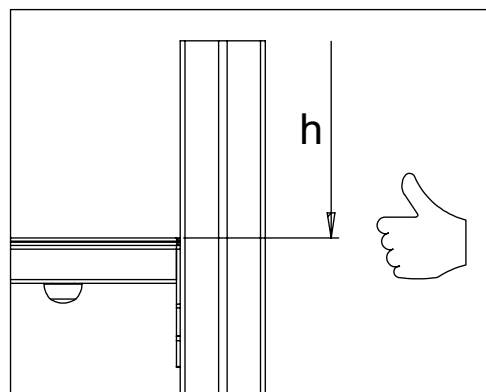
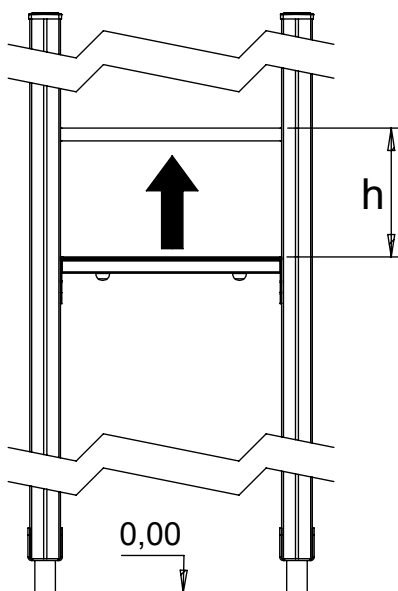
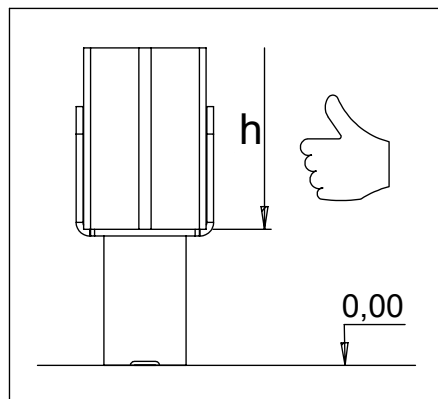
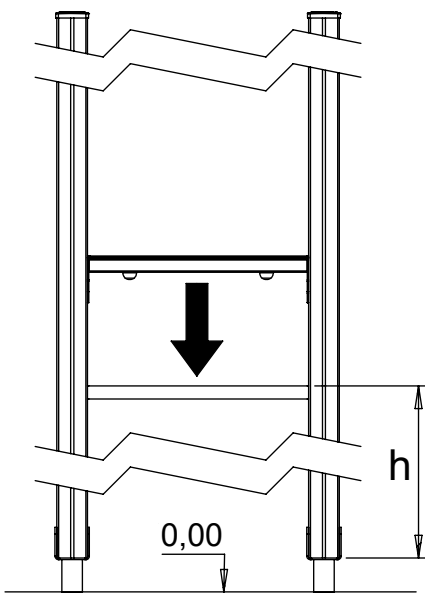
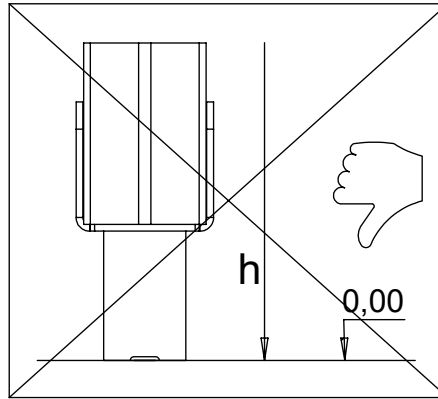
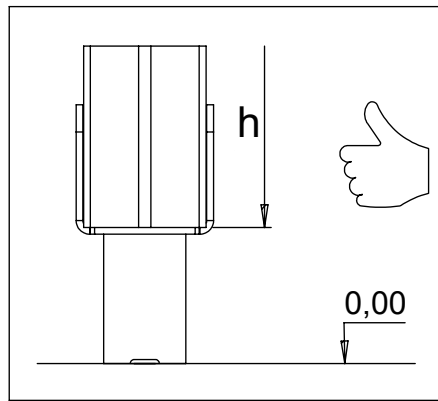
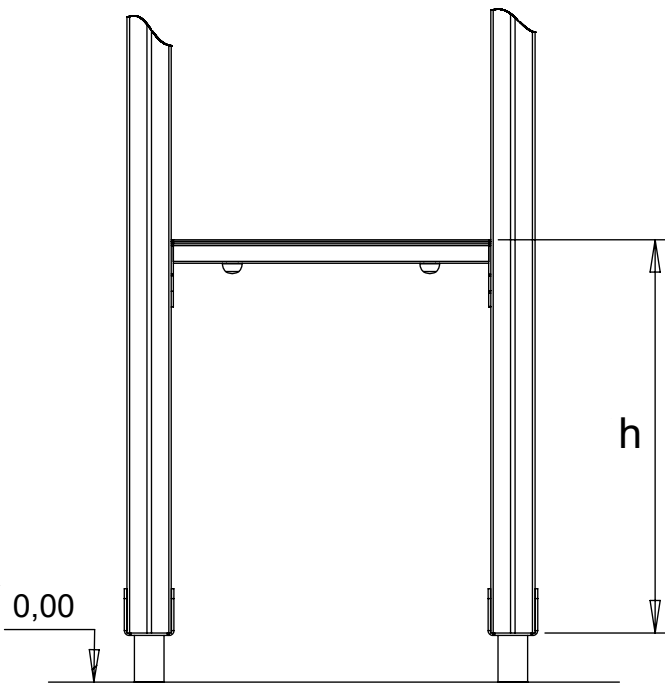
141490  
x4

**Q1**

Q1	
4x	8x30iki
4x	i570
32x	5x25sxi

ST/INOX		PLYWOOD / HDPE		HPL	
2x	WD1	1x	WD33	1x	WD34
108x	8x50 sxi	2x	WD76	2x	WD77
24x	8x160 sxt	1x	CE6	1x	CL6
1x	V001	1x	WD40	1x	WD41
		1x	WD112	1x	WD137

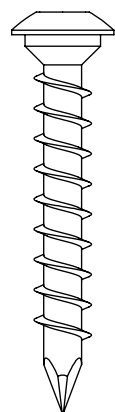
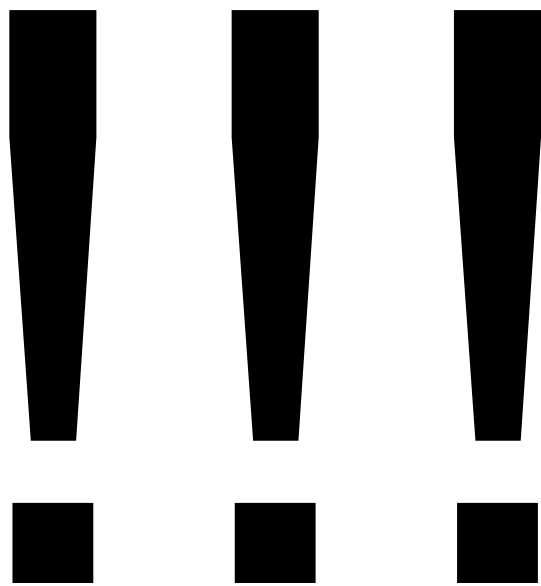




[cm]

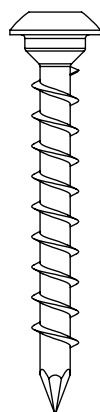
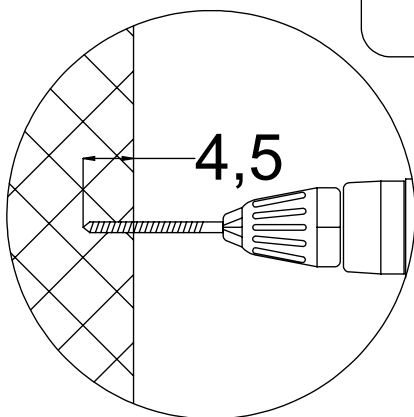
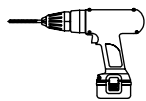
vinci  
play

# Q1



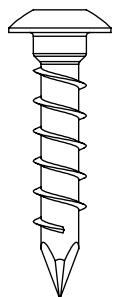
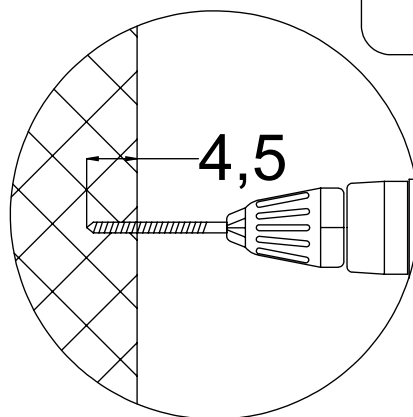
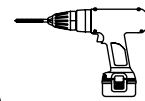
8x50sxi

Ø5.5



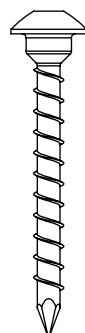
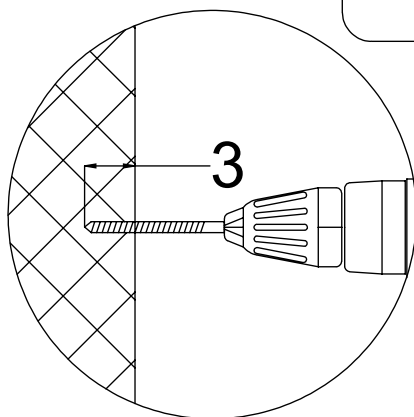
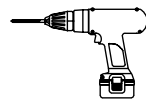
6x50sxi

Ø4,5



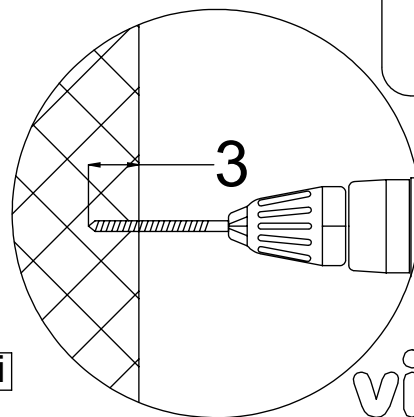
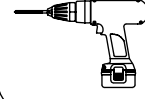
7x35sxi

Ø5.5



5x40sxi

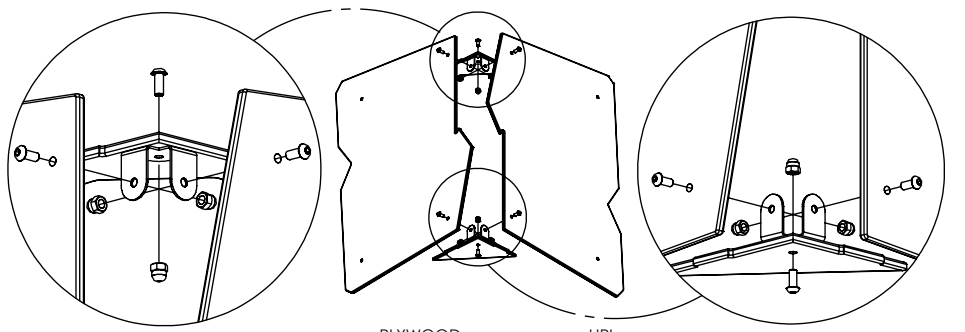
Ø3,5



[cm]

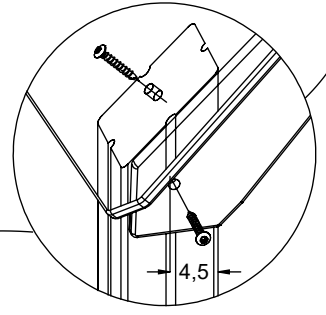
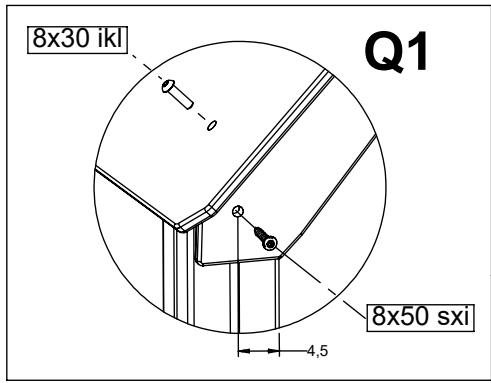
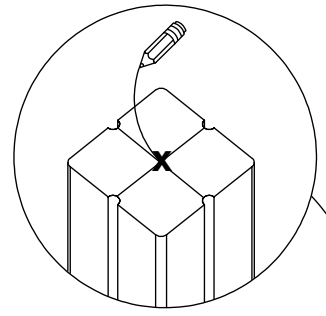
vinci  
play



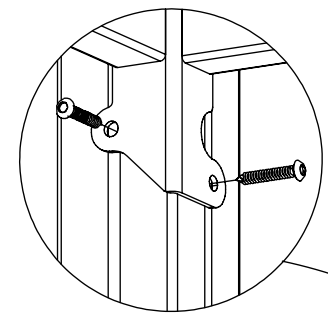


PLYWOOD  
WD33

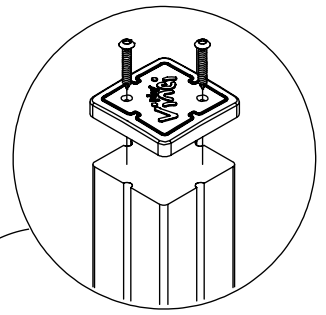
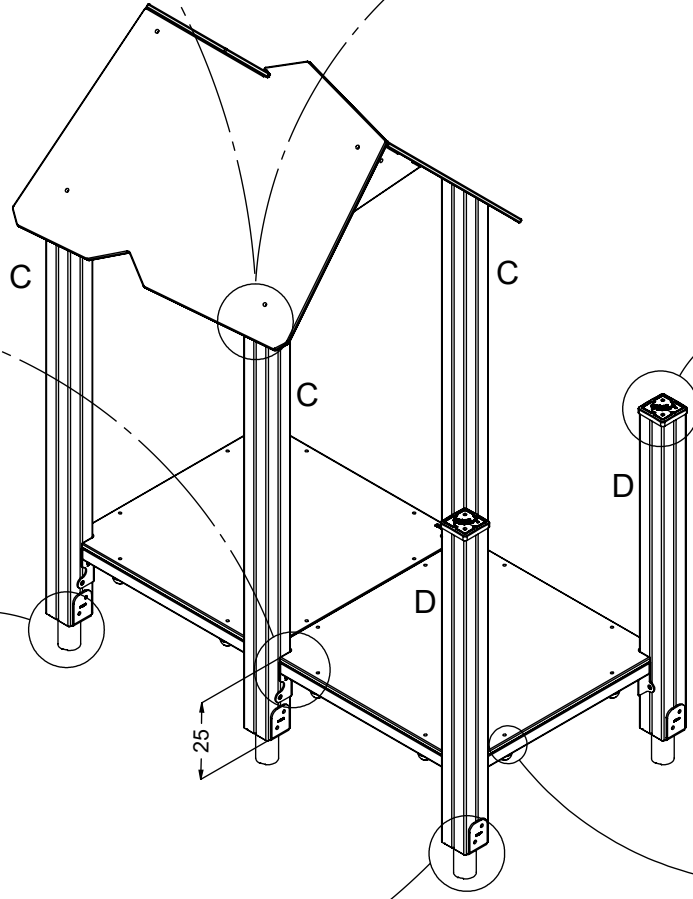
HPL  
WD34



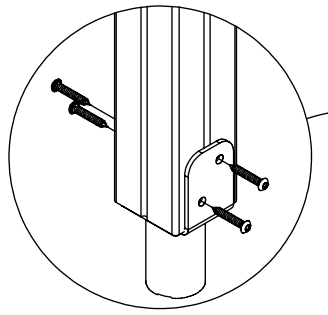
8x50 sxi



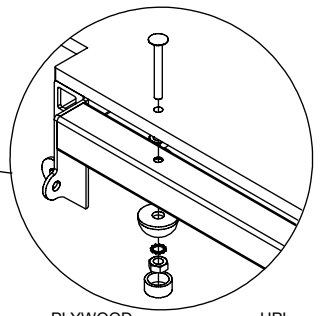
8x50 sxi



WD1

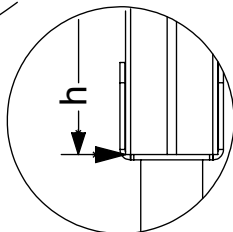
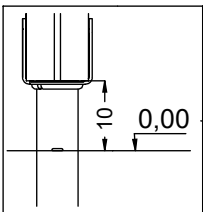


8x50 sxi

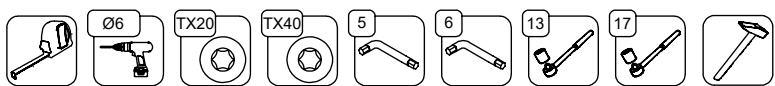


PLYWOOD  
WD76

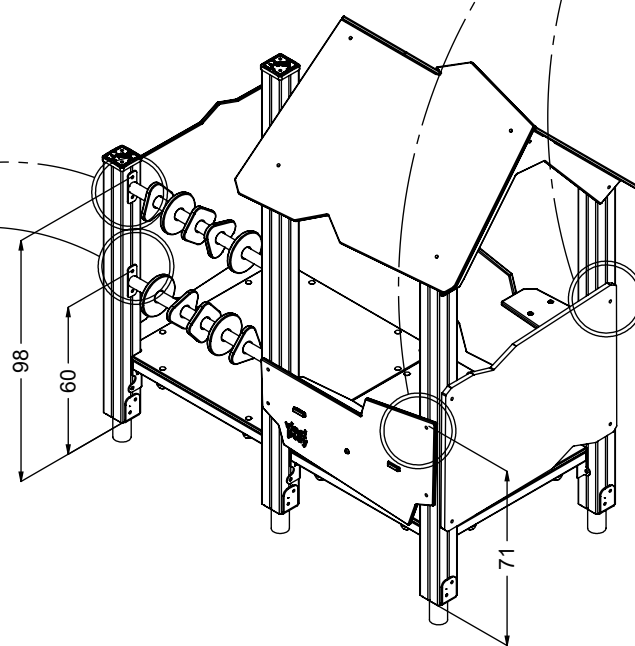
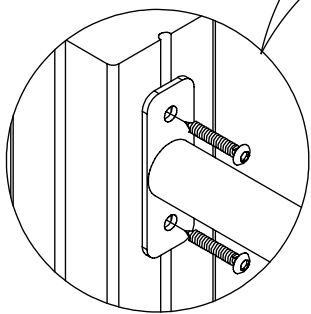
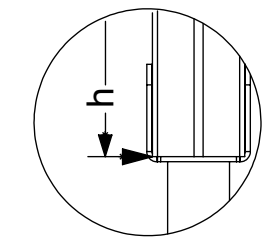
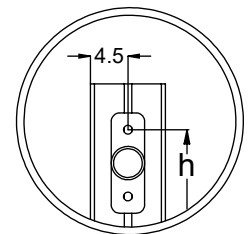
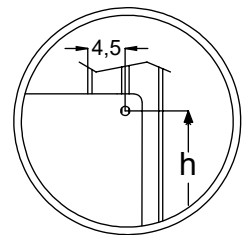
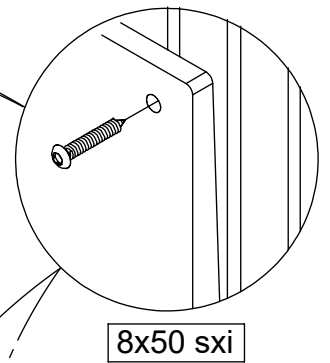
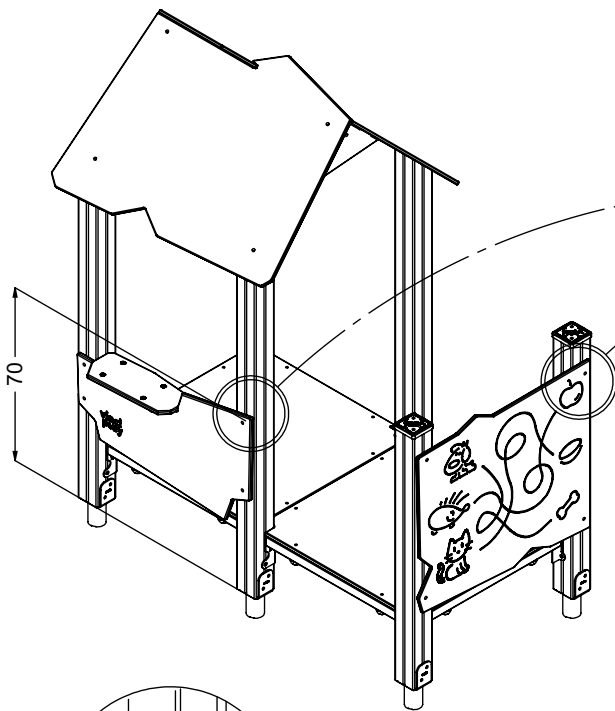
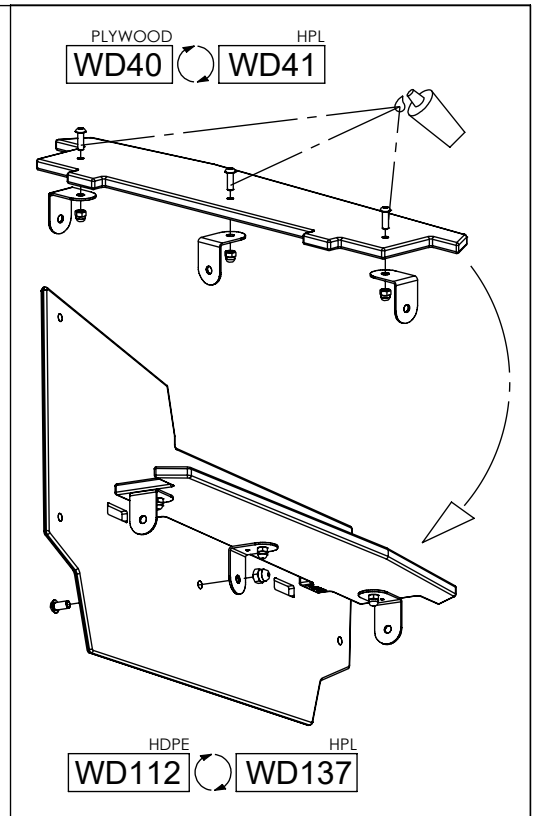
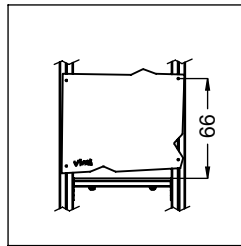
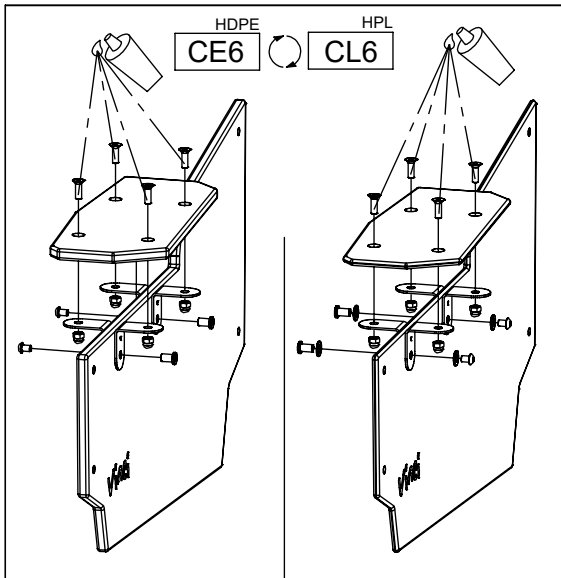
HPL  
WD77



[cm]

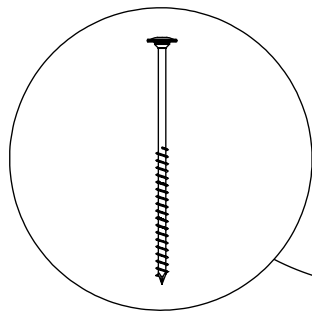


vinci  
play

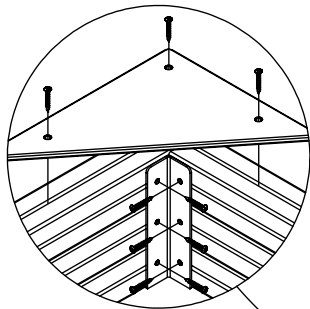
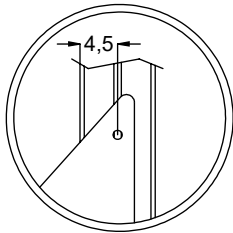
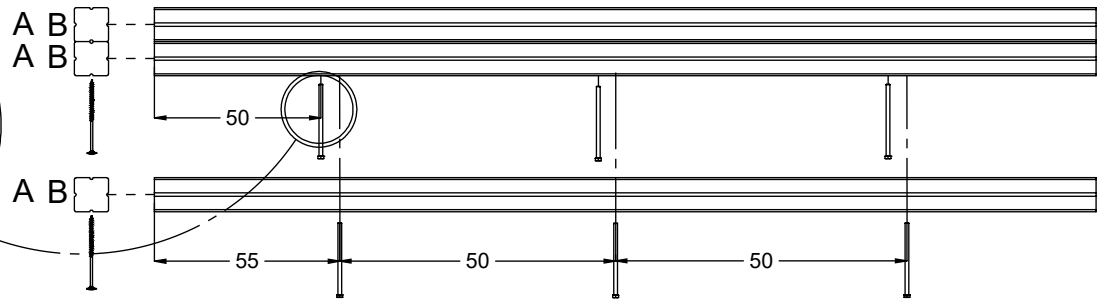


[cm]

vinci  
play



8x160 sxt



8x50 sxi

141264

B

A

141264

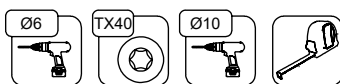
141264

B

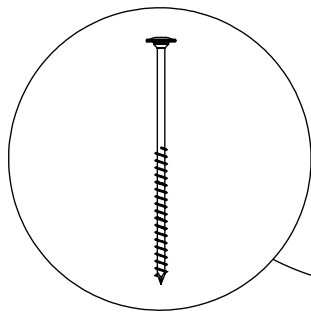
A

141264

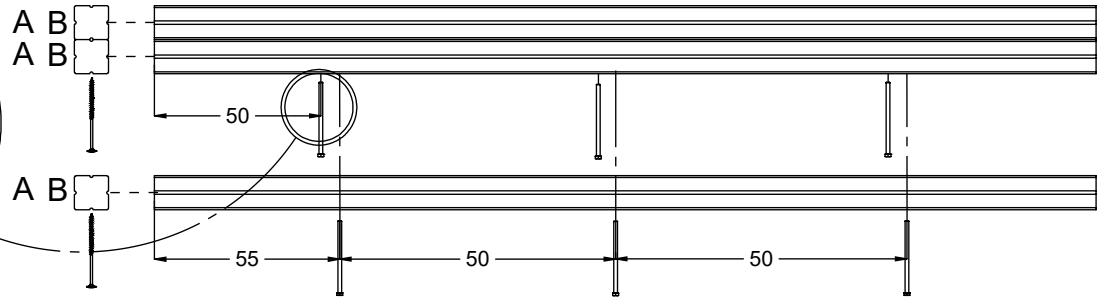
[cm]



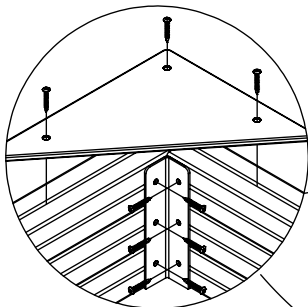
vinci play



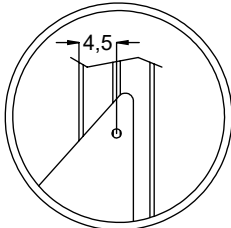
8x160 sxt



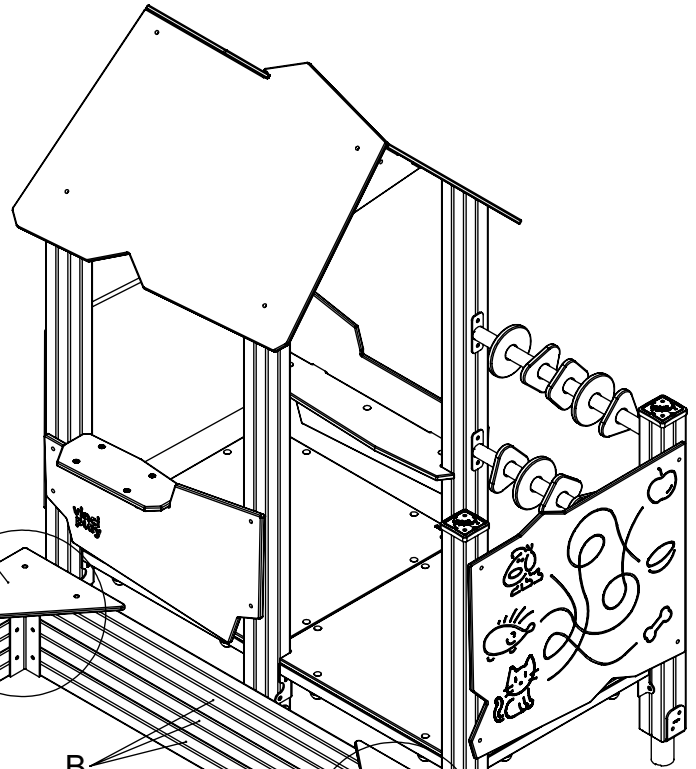
# Q1



8x50 sxi



141490



A

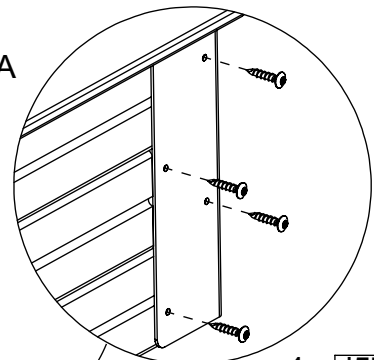
B

141490

141490

B

141490

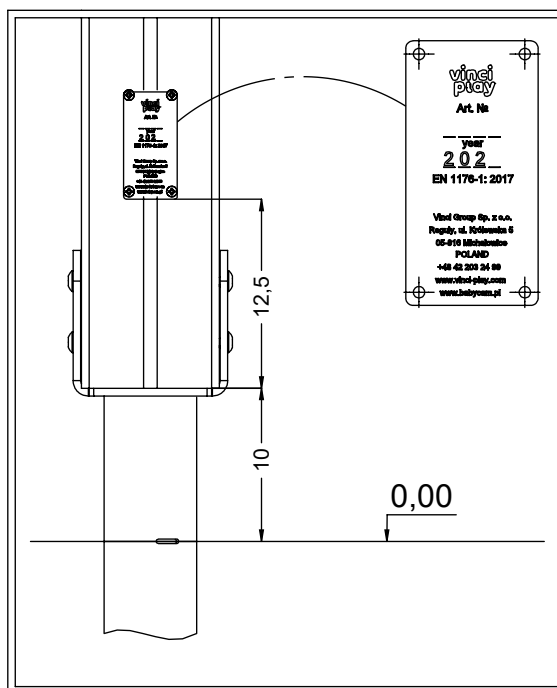


4x i570  
32x 5x25 sxi

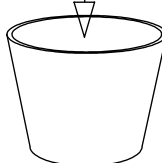
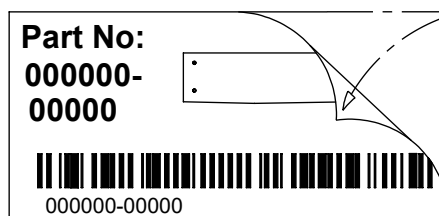


[cm]

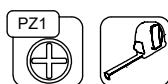
vinci  
play



V001



[cm]



vinci  
play